



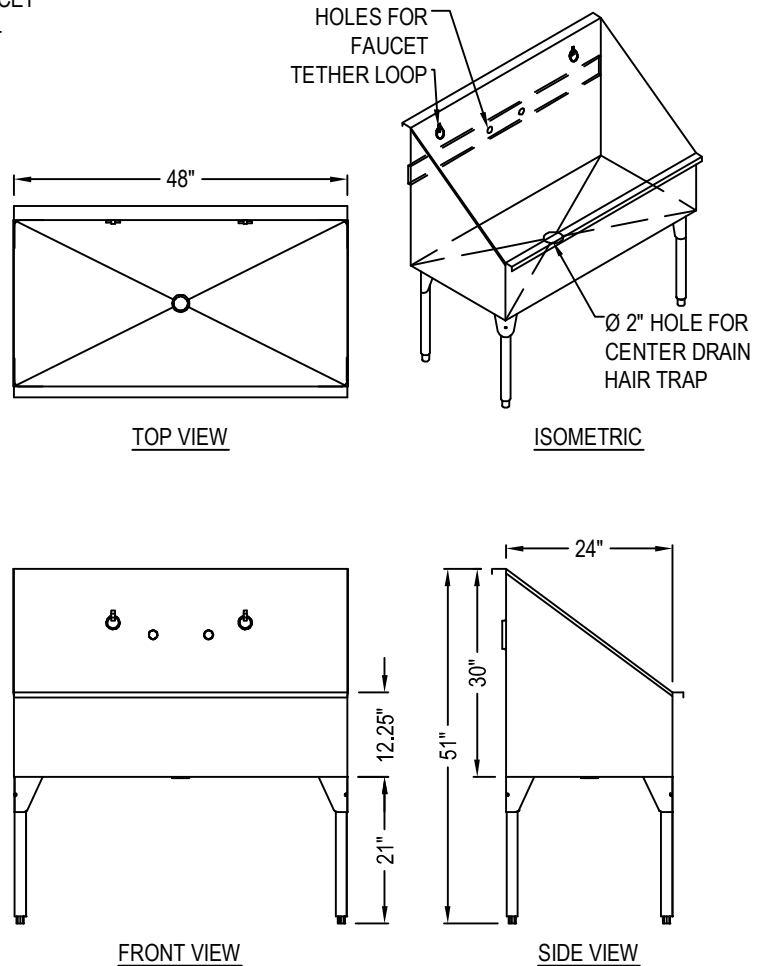
RIDALCO
 4-1084 KENASTON ST.
 OTTAWA, ON K1B 3P5
 TOLL FREE: 1-800-445-1097
 PHONE: (613) 745-9161
 FAX: (800) 268-6526
 www.ridalco.com

SELECT DESIRED OPTIONS AND ACCESSORIES:

- EXTENDED SIDE PANEL TO PERMIT END MOUNTING OF FAUCET
- STANDARD SPLASHMOUNT FAUCET WITH 12" SWING SPOUT
- SPLASHMOUNT PRE-RINSE FAUCET WITH 72" LONG HOSE AND SPRAYER
- SPLASHMOUNT PRE-RINSE FAUCET WITH 72" LONG HOSE AND SPRAYER PLUS ADD-ON SPOUT
- T&S SPLASHMOUNT FAUCET WITH COILED 9' HOSE AND LIGHTWEIGHT SPRAY VALVE
- T&S SPLASHMOUNT FAUCET WITH COILED 9' HOSE AND LIGHTWEIGHT SPRAY VALVE, AND ADD-ON SPOUT
- ACCESS (LIFT-OUT) GATE ON FRONT OF SINK TO ACCOMMODATE RAMP
- FULL-LENGTH RAMP RACK
- 48" RAMP FOR SINK
- STORAGE HOOKS FOR RAMP
- STAINLESS STEEL SHAMPOO/TOOL HOLDER
- REMOVABLE MESH HAIR STRAINER
- REINFORCING LEG BRACING (FRONT-TO-BACK) AND FLANGED FRONT FEET FOR ADDED STABILITY
- HEAVY-DUTY, STAINLESS STEEL COAT/TOWEL RACK, WALL MOUNTED
- STAINLESS STEEL FLOATING WALL SHELF (MIN. 3' LONG)

SELECT DESIRED MODEL:

- RUS-2424S RUS-6024S RUS-4824S (SHOWN)
- RUS-3624S RUS-7224S
- WITH PERFORATED WORK SHELF



SPECIFICATIONS:

- SINKS ARE FULLY-WELDED AND MANUFACTURED FROM 1.6 MM (16 GA.) TYPE 304 STAINLESS STEEL.
- STAINLESS STEEL SUPPORT LEGS ARE 41 MM (1 5/8") DIAMETER COMPLETE WITH ADJUSTABLE LEVELING FOOT.

NOTES:

1. INSTALLATION TO BE COMPLETED IN ACCORDANCE WITH MANUFACTURER'S SPECIFICATIONS.
2. DO NOT SCALE DRAWING.
3. THIS DRAWING IS INTENDED FOR USE BY ARCHITECTS, ENGINEERS, CONTRACTORS, CONSULTANTS AND DESIGN PROFESSIONALS FOR PLANNING PURPOSES ONLY. THIS DRAWING MAY NOT BE USED FOR CONSTRUCTION.
4. ALL INFORMATION CONTAINED HEREIN WAS CURRENT AT THE TIME OF DEVELOPMENT BUT MUST BE REVIEWED AND APPROVED BY THE PRODUCT MANUFACTURER TO BE CONSIDERED ACCURATE.
5. CONTRACTOR'S NOTE: FOR PRODUCT AND COMPANY INFORMATION VISIT www.CADdetails.com/info AND ENTER REFERENCE NUMBER 4396-009.

