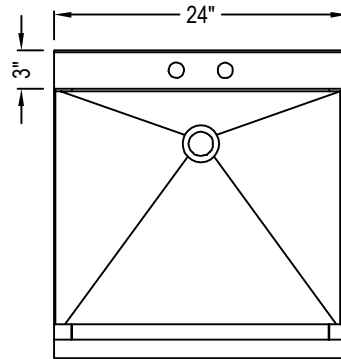


# ridalco

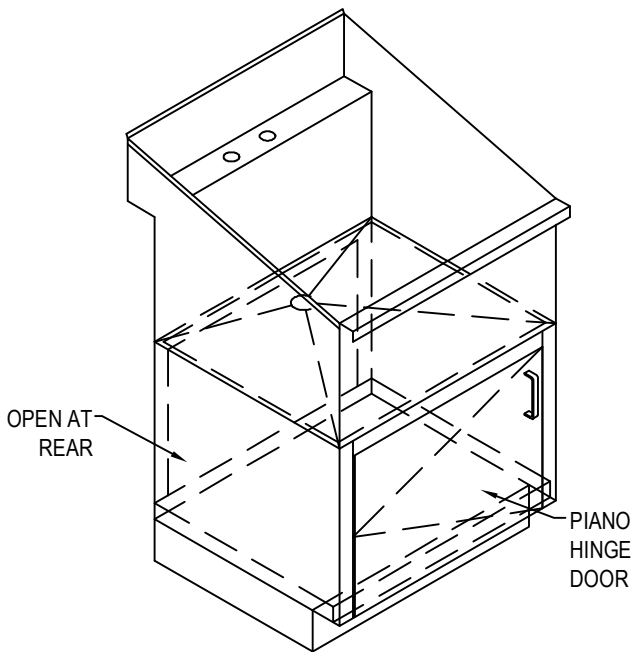
## Stainless Steel

RIDALCO  
 4-1084 KENASTON ST.  
 OTTAWA, ON K1B 3P5  
 TOLL FREE: 1-800-445-1097  
 PHONE: (613) 745-9161  
 FAX: (800) 268-6526  
 www.ridalco.com

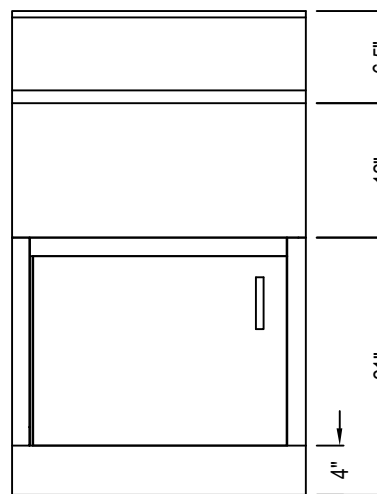
- SELECT DESIRED MODEL:
- EC-L-2425S-BC (SHOWN)
  - EC-L-3025S-BC



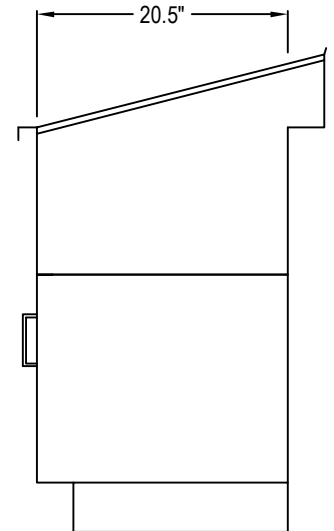
TOP VIEW



ISOMETRIC



FRONT VIEW



SIDE VIEW

SPECIFICATIONS:

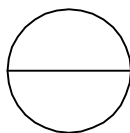
- 1.5" IPS DRAIN.
- 4" CTR. FAUCET HOLES.
- 1 5/8" DIA. STAINLESS STEEL LEGS.

FEATURES:

- 16 GA. TYPE 304 STAINLESS STEEL CONSTRUCTION.
- 3" WIDE DECK TO ACCOMMODATE STANDARD DECK MOUNTED FAUCET.
- ADJUSTABLE BULLET FEET.

NOTES:

1. INSTALLATION TO BE COMPLETED IN ACCORDANCE WITH MANUFACTURER'S SPECIFICATIONS.
2. DO NOT SCALE DRAWING.
3. THIS DRAWING IS INTENDED FOR USE BY ARCHITECTS, ENGINEERS, CONTRACTORS, CONSULTANTS AND DESIGN PROFESSIONALS FOR PLANNING PURPOSES ONLY. THIS DRAWING MAY NOT BE USED FOR CONSTRUCTION.
4. ALL INFORMATION CONTAINED HEREIN WAS CURRENT AT THE TIME OF DEVELOPMENT BUT MUST BE REVIEWED AND APPROVED BY THE PRODUCT MANUFACTURER TO BE CONSIDERED ACCURATE.
5. CONTRACTOR'S NOTE: FOR PRODUCT AND COMPANY INFORMATION VISIT [www.CADdetails.com/info](http://www.CADdetails.com/info) AND ENTER REFERENCE NUMBER 4396-002.



## LAUNDRY SINKS

LAUNDRY SINK ON BASE CABINET