

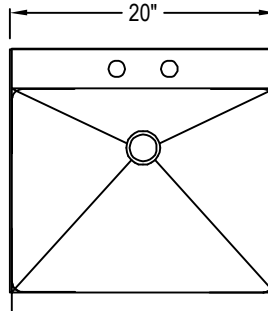
ridalco

Stainless Steel

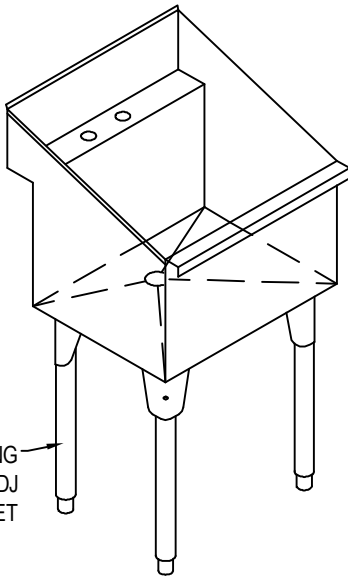
RIDALCO
 4-1084 KENASTON ST.
 OTTAWA, ON K1B 3P5
 TOLL FREE: 1-800-445-1097
 PHONE: (613) 745-9161
 FAX: (800) 268-6526
 www.ridalco.com

SELECT DESIRED MODEL:

- EC-L-2020S (SHOWN)
- EC-L-2425S
- EC-L-3625S

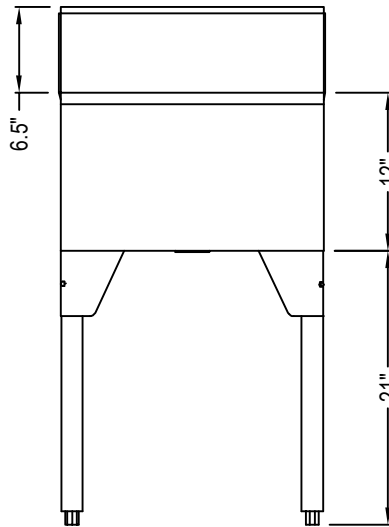


TOP VIEW

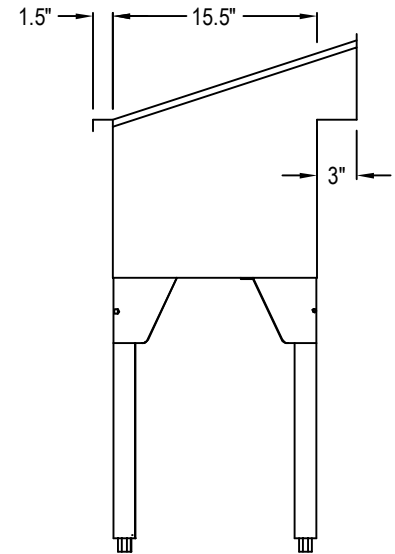


ISOMETRIC

Ø 1.625" S/S TUBING
 LEGS C/W ADJ
 LEVELING FEET



FRONT VIEW



SIDE VIEW

SPECIFICATIONS:

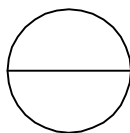
- 1.5" IPS DRAIN.
- 4" CTR. FAUCET HOLES.
- 1 5/8" DIA. STAINLESS STEEL LEGS.

FEATURES:

- 16 GA. TYPE 304 STAINLESS STEEL CONSTRUCTION.
- 3" WIDE DECK TO ACCOMMODATE STANDARD DECK MOUNTED FAUCET.
- ADJUSTABLE BULLET FEET.

NOTES:

1. INSTALLATION TO BE COMPLETED IN ACCORDANCE WITH MANUFACTURER'S SPECIFICATIONS.
2. DO NOT SCALE DRAWING.
3. THIS DRAWING IS INTENDED FOR USE BY ARCHITECTS, ENGINEERS, CONTRACTORS, CONSULTANTS AND DESIGN PROFESSIONALS FOR PLANNING PURPOSES ONLY. THIS DRAWING MAY NOT BE USED FOR CONSTRUCTION.
4. ALL INFORMATION CONTAINED HEREIN WAS CURRENT AT THE TIME OF DEVELOPMENT BUT MUST BE REVIEWED AND APPROVED BY THE PRODUCT MANUFACTURER TO BE CONSIDERED ACCURATE.
5. CONTRACTOR'S NOTE: FOR PRODUCT AND COMPANY INFORMATION VISIT www.CADdetails.com/info AND ENTER REFERENCE NUMBER 4396-001.



LAUNDRY SINKS

LAUNDRY SINK ON LEGS